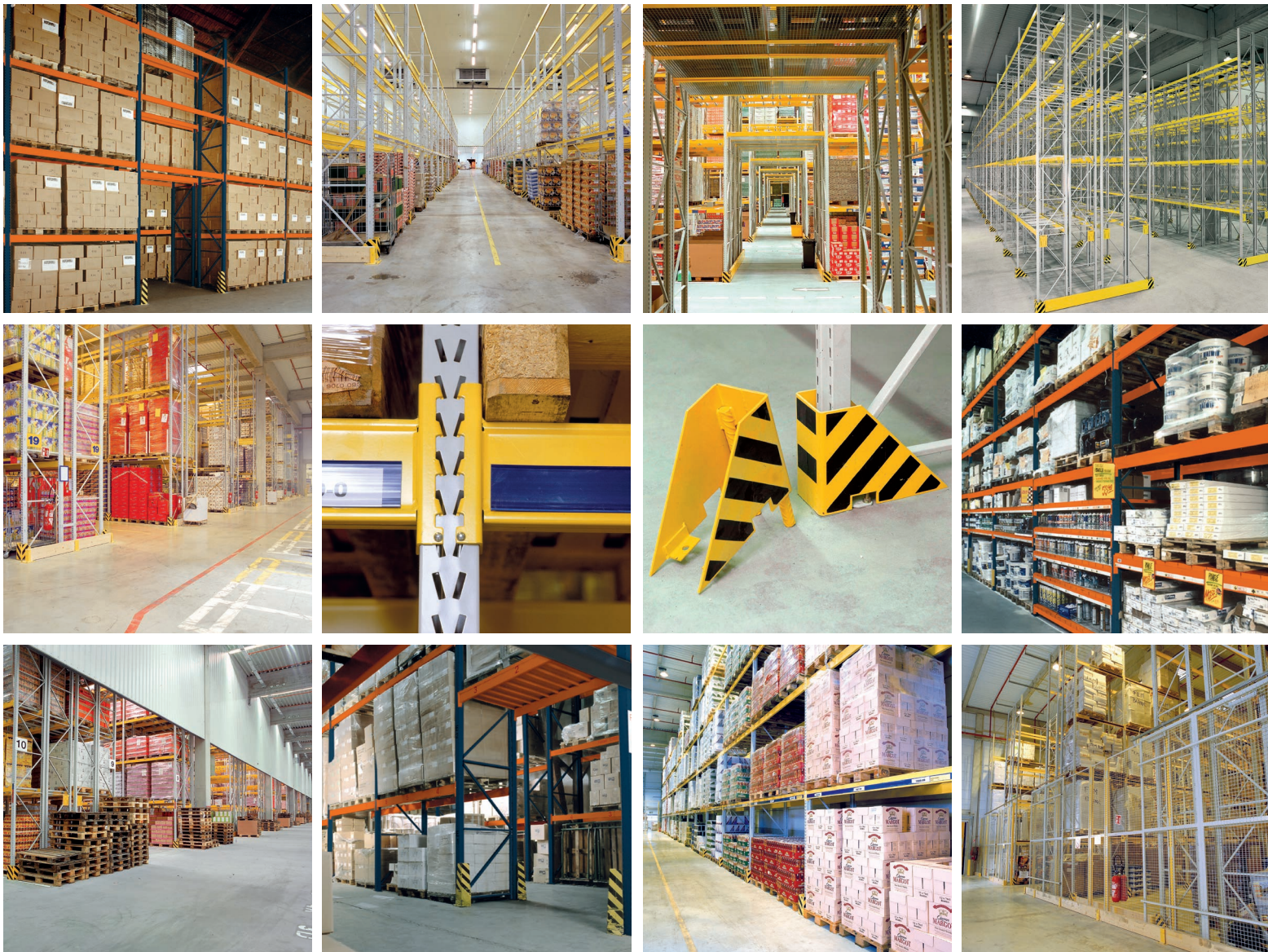


# Tegometall

The Original for 50 years

## Standard



## Industrial Storage Technology

## List of abbreviations used

### General abbreviations:

■ V – Packaging unit

### Dimensions and units:

■ B – Width  
■ H – Height  
■ L – Length  
■ T – Depth  
■ Ø – Diameter  
■ cm – Centimetre  
■ kg – Kilogram  
■ mm – Millimetre

---



**Tegometall**  
The Original for 50 years

Tegometall International Sales GmbH  
Industriestraße 7  
CH - 8574 Lengwil-Oberhofen

Telephone +41 (0) 71 686 93 00  
Fax +41 (0) 71 686 93 78

info@tegometall.com  
www.tegometall.com

Please order from a Tegometall ServiceCenter near you.

Drawings and illustrations are without commitment. All rights reserved. All prices are recommended prices by the manufacturer. VAT and possible customs charges for specific countries, or import taxes are not included.

Our current General Terms of Sale, Delivery and Payment apply with the respective addition.

Note: our prices do not include assembly.

Colour differences are possible. We reserve the right to make technical changes without notice in the interests of continued development.

Our previous catalogues and components price lists are hereby cancelled.

Essential components of our product range are legally protected in Germany and abroad.

Copyright © 2012  
Tegometall International Sales GmbH (hereafter called Tegometall)  
All rights reserved.

All illustrations are the property of Tegometall. All illustrations and descriptions, including all trademarks and symbols, are protected by copyright and other industrial property right laws. Any reproduction, distribution or publication, including on the internet or any other use, is prohibited. The content may not be reproduced, passed on and/or used without the prior written consent of Tegometall.

## Contents

Chapter	page	Index	page
<b>i</b>	<b>A Cost-effective Industrial Storage</b>	<b>A</b>	Anchor bolt.....13
	<b>Product Range</b>		Angular profile – bumper .....13
	System CI 70x80	<b>B</b>	Bumper (corner) .....12
	System CI 85x80, CI 100x80		Bumper for stands .....12
<b>A</b>	<b>Stands</b>	<b>D</b>	Depth connector.....9
	Stand CI 70x80 for industrial shelving, screwed type		Depth connector recessed.....9
	Stand CI 85x80 for industrial shelving, screwed type		Drum rack, fixed .....10
	Stand CI 100x80 for industrial shelving, screwed type		Drum rack with rollers .....10
<b>B</b>	<b>Traverses</b>	<b>F</b>	Fire protection shelving element ARP .....9
	ITI traverses for industrial shelving		Flexible fixation accessories .....12
	ARPI traverses for industrial shelving	<b>L</b>	Labels for permissible loads .....14
<b>C</b>	<b>Depth Connectors and Shelving Elements</b>		Load distribution shoe.....13
	Depth connectors	<b>P</b>	Push-through guard .....12
	Shelving elements	<b>R</b>	Rigid fixation accessories.....12
<b>D</b>	<b>Accessories and Safeguard Parts</b>	<b>S</b>	Screw anchor .....14
	Accessories for industrial shelving		Sheet metal underlay CI 70x80.....11
	Safety accessories for industrial shelving		Sheet metal underlay CI 85x80, CI 100x80 .....11
<b>i</b>	<b>Technical Information – Industrial Shelving</b>		Shelving elements ARP .....9
	System sizes		Spacer bracket CI 70x80 .....11
	Chipboard sizes (depth connectors, recessed)		Spacer bracket CI 85x80 .....11
	Chipboard sizes (traverse ARPI)		Spacer bracket CI 100x80 .....11
	Number of elements and load capacity for ARP shelving elements and ARP fire protection shelving elements in conjunction with traverses		Stand, unassembled, CI 70x80.....5
	ARPI 80x40, 100x40 and 120x40		Stand, unassembled, CI 85x80.....5, 6
	Composition of item numbers		Stand, unassembled, CI 100x80.....6
	Special colours		Storage frame for euro cage .....9
	<b>Permissible Loads</b>		Straddling bolt .....13
	Conditions traverses	<b>T</b>	Traverse centre ARPI 80x40 .....8
	Conditions stands		Traverse centre ARPI 100x40 .....8
	Permissible load per pair of traverses in kg, System CI 70x80, System CI 85x80 and System CI 100x80		Traverse centre ARPI 120x40 .....8
	Permissible bay load for industrial shelving		Traverse centre ITI 80x40.....7
	System CI 70x80		Traverse centre ITI 100x40.....7
	Permissible bay load for industrial shelving		Traverse centre ITI 120x40.....7
	System CI 85x80		Traverse centre ITI 130x40.....7
	Permissible bay load for industrial shelving		
	System CI 100x80		
	Permissible load per depth connector		
	Permissible load per shelving element ARP		
	Permissible load per fire protection shelving element ARP		



## A Cost-effective Industrial Storage Product Range

### Top quality industrial storage shelving

We continuously develop the system technology of our storage shelving. This is the only way to keep pace with the constantly changing needs of industry and to satisfy greater requirements.

To name only one example:

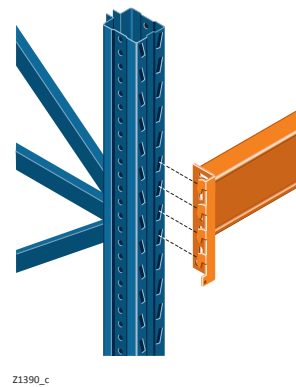
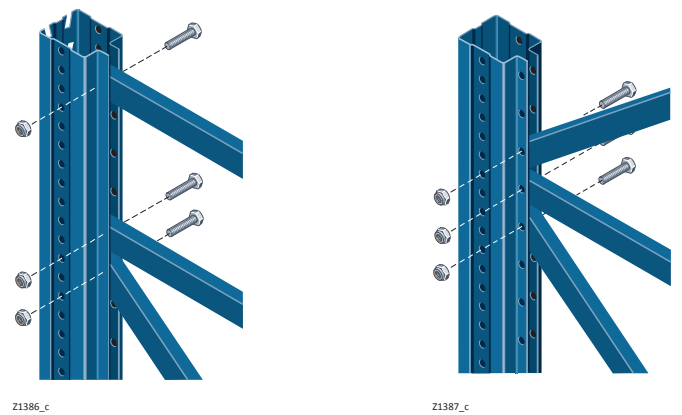
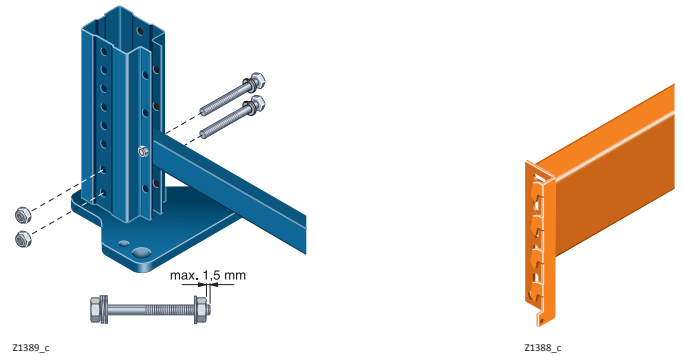
A new hook-in connection for our industrial shelving ensures facilitated assembly and improved structural properties. The stands themselves represent a screwed system, whose height and depth can be extended or modified under the modular concept.

In industrial storage, a high degree of stability and load-bearing capacity as well as optimum safety are important factors. This must be ensured following fast and easy assembly. The shelving material, delivered in its individual parts, is not complicated to assemble and is characterised by its high degree of detailed accuracy:

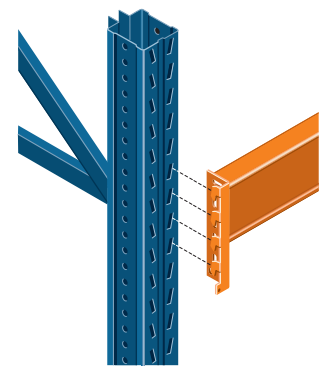
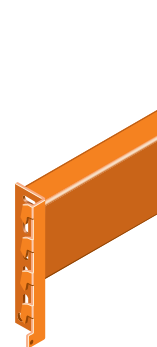
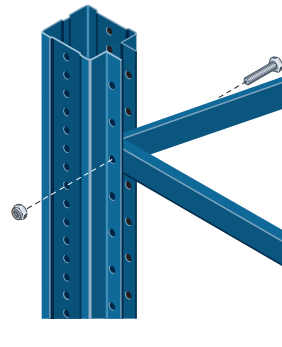
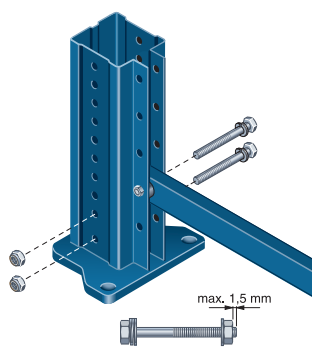
Traverses for the relevant loads, with diverse depth connectors and shelving elements.

Safety is a high priority in our industrial storage system. Tow bows, push-through guards and bumpers are part of the indispensable safety aids. Environmental protection is closely related to safety. Our powder paints are solvent free. The auxiliary materials and supplies used by us contain absolutely no aromatic or chlorinated hydrocarbons. Our environmental protection consists of an environmentally friendly powder coating with preceding iron phosphating. The coating is chemical resistant to DIN 53 168. The coating also ensures good, enduring resistance to many chemicals such as diluted acids, household cleaning agents, machine oil and petrol.

### System CI 70x80



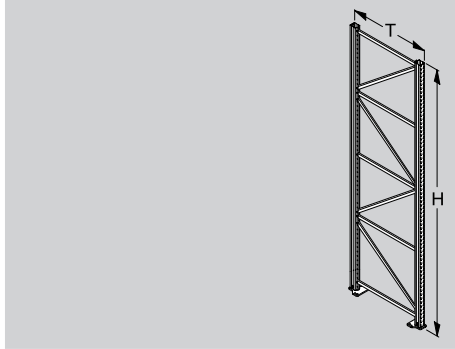
### System CI 85x80 / CI 100x80



# Stands

## Stand CI 70x80 for industrial shelving, screwed type

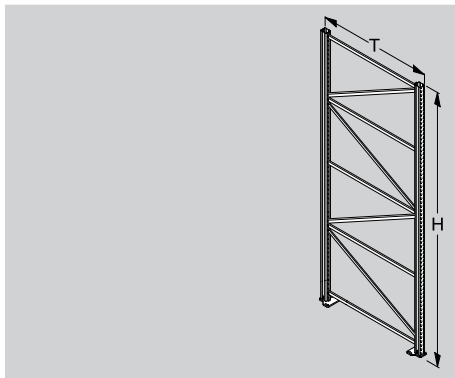
**Stand, unassembled, CI 70x80**  
C-profile 70x80 mm. Screws included. Not assembled



Z1354

Size cm	Item No.	Finish	Standard unit price	Price per V	Quantity per V
T 80 H 400	<b>291120</b>	51			
T 80 H 450	<b>291125</b>	51			
T 80 H 500	<b>291130</b>	51			
T 80 H 550	<b>291135</b>	51			
T 80 H 600	<b>291140</b>	51			
T 80 H 400	<b>291120</b>	5			
T 80 H 450	<b>291125</b>	5			
T 80 H 500	<b>291130</b>	5			
T 80 H 550	<b>291135</b>	5			
T 80 H 600	<b>291140</b>	5			

**Stand, unassembled, CI 70x80**  
C-profile 70x80 mm. Screws included. Not assembled

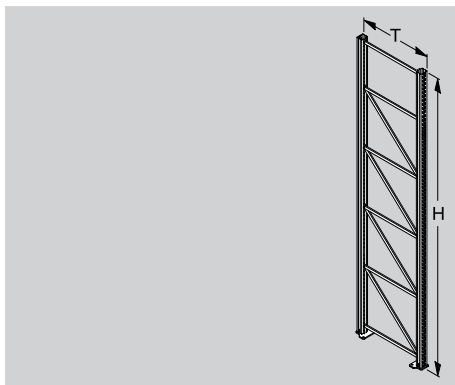


Z1317

T 110 H 400	<b>291722</b>	51			
T 110 H 450	<b>291723</b>	51			
T 110 H 500	<b>291724</b>	51			
T 110 H 550	<b>291725</b>	51			
T 110 H 600	<b>291726</b>	51			
T 110 H 400	<b>291722</b>	5			
T 110 H 450	<b>291723</b>	5			
T 110 H 500	<b>291724</b>	5			
T 110 H 550	<b>291725</b>	5			
T 110 H 600	<b>291726</b>	5			

## Stand CI 85x80 for industrial shelving, screwed type

**Stand, unassembled, CI 85x80**  
C-profile 85x80 mm. Screws included. Not assembled

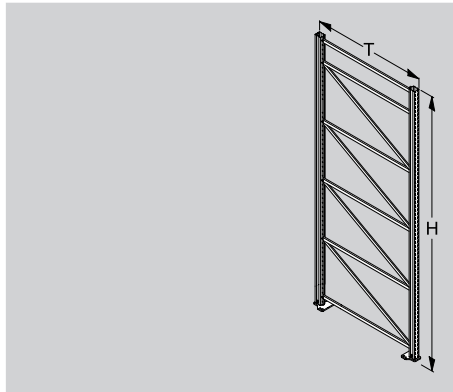


Z1835

T 80 H 400	<b>298660</b>	51			
T 80 H 450	<b>298661</b>	51			
T 80 H 500	<b>298662</b>	51			
T 80 H 550	<b>298663</b>	51			
T 80 H 600	<b>298664</b>	51			
T 80 H 700	<b>298666</b>	51			
T 80 H 800	<b>298668</b>	51			
T 80 H 900	<b>298670</b>	51			
T 80 H 1000	<b>298672</b>	51			
T 80 H 400	<b>298660</b>	5			
T 80 H 450	<b>298661</b>	5			
T 80 H 500	<b>298662</b>	5			
T 80 H 550	<b>298663</b>	5			
T 80 H 600	<b>298664</b>	5			
T 80 H 700	<b>298666</b>	5			
T 80 H 800	<b>298668</b>	5			
T 80 H 900	<b>298670</b>	5			
T 80 H 1000	<b>298672</b>	5			

# Stands

**Stand, unassembled, CI 85x80**  
C-profile 85x80 mm. Screws included. Not assembled

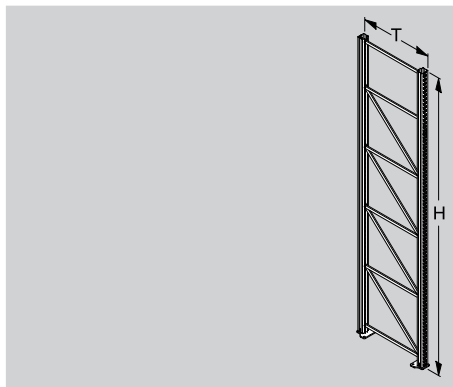


Z2803

Size cm	Item No.	Finish	Standard unit price €	Price per V €	Quantity per V
T 110 H 400	298770	51			
T 110 H 450	298771	51			
T 110 H 500	298772	51			
T 110 H 550	298773	51			
T 110 H 600	298774	51			
T 110 H 700	298776	51			
T 110 H 800	298778	51			
T 110 H 900	298780	51			
T 110 H 1000	298782	51			
T 110 H 400	298770	5			
T 110 H 450	298771	5			
T 110 H 500	298772	5			
T 110 H 550	298773	5			
T 110 H 600	298774	5			
T 110 H 700	298776	5			
T 110 H 800	298778	5			
T 110 H 900	298780	5			
T 110 H 1000	298782	5			

## Stand CI 100x80 for industrial shelving, screwed type

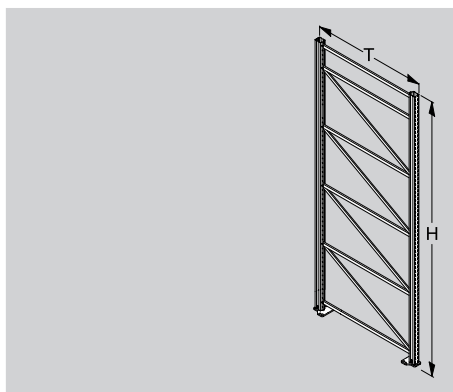
**Stand, unassembled, CI 100x80**  
C-profile 100x80 mm. Screws included. Not assembled



Z1835

T 80 H 400	<b>298680</b>	51			
T 80 H 450	<b>298681</b>	51			
T 80 H 500	<b>298682</b>	51			
T 80 H 550	<b>298683</b>	51			
T 80 H 600	<b>298684</b>	51			
T 80 H 700	<b>298686</b>	51			
T 80 H 800	<b>298688</b>	51			
T 80 H 900	<b>298690</b>	51			
T 80 H 1000	<b>298692</b>	51			
T 80 H 400	<b>298680</b>	5			
T 80 H 450	<b>298681</b>	5			
T 80 H 500	<b>298682</b>	5			
T 80 H 550	<b>298683</b>	5			
T 80 H 600	<b>298684</b>	5			
T 80 H 700	<b>298686</b>	5			
T 80 H 800	<b>298688</b>	5			
T 80 H 900	<b>298690</b>	5			
T 80 H 1000	<b>298692</b>	5			

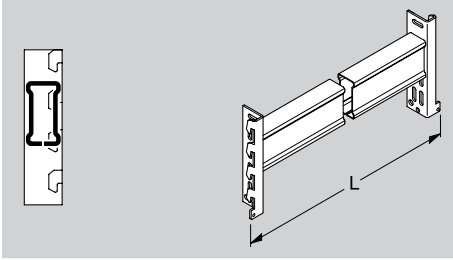
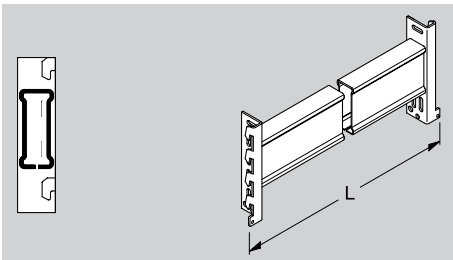
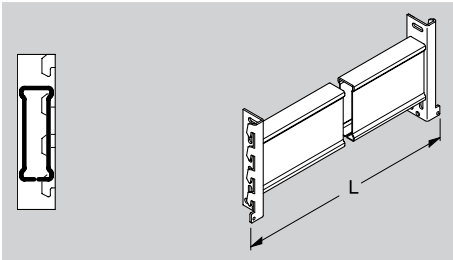
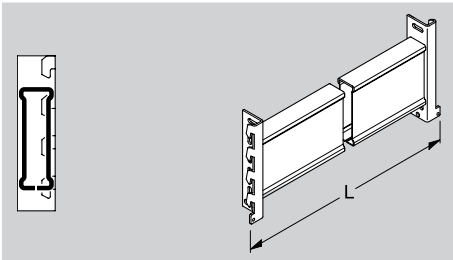
**Stand, unassembled, CI 100x80**  
C-profile 100x80 mm. Screws included. Not assembled



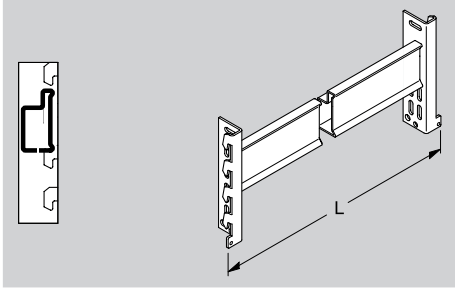
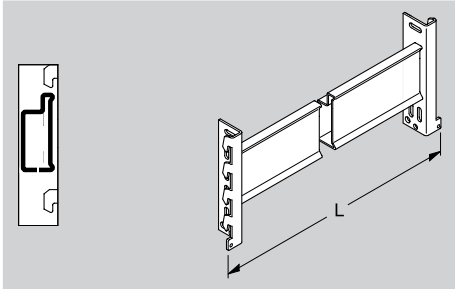
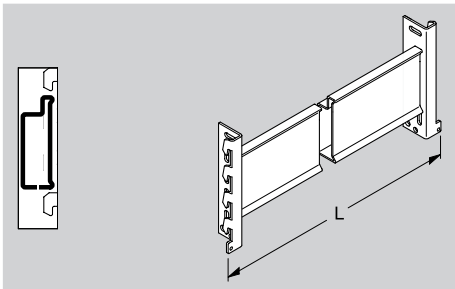
Z2803

T 110 H 400	<b>298750</b>	51			
T 110 H 450	<b>298751</b>	51			
T 110 H 500	<b>298752</b>	51			
T 110 H 550	<b>298753</b>	51			
T 110 H 600	<b>298754</b>	51			
T 110 H 700	<b>298756</b>	51			
T 110 H 800	<b>298758</b>	51			
T 110 H 900	<b>298760</b>	51			
T 110 H 1000	<b>298762</b>	51			
T 110 H 400	<b>298750</b>	5			
T 110 H 450	<b>298751</b>	5			
T 110 H 500	<b>298752</b>	5			
T 110 H 550	<b>298753</b>	5			
T 110 H 600	<b>298754</b>	5			
T 110 H 700	<b>298756</b>	5			
T 110 H 800	<b>298758</b>	5			
T 110 H 900	<b>298760</b>	5			
T 110 H 1000	<b>298762</b>	5			

# Traverses

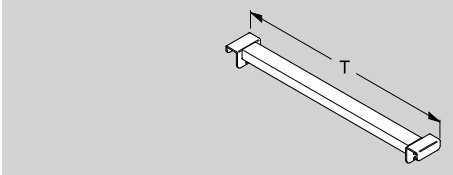
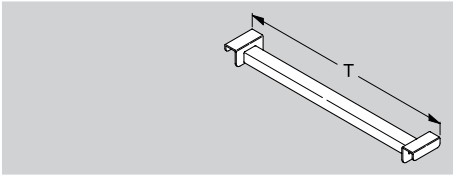
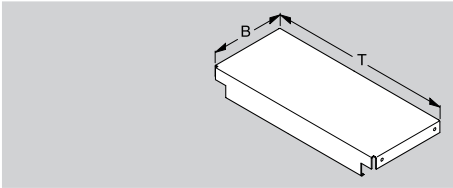
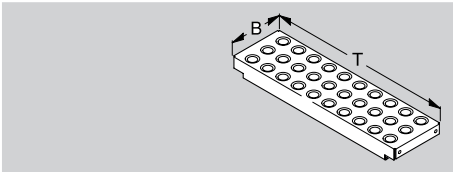
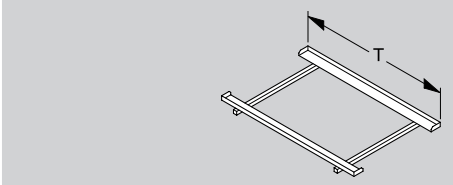
	Size cm	Item No.	Finish	Standard unit price €	Price per V €	Quantity per V
<b>ITI traverses for industrial shelving</b>						
<p><b>Traverse centre ITI 80x40</b> Profile 80x40 mm, with lift-out preventers.</p>  <p>Z1322 / Z1315</p>	L 183 L 223 L 273	<b>294260</b> <b>294261</b> <b>294262</b>	6 6 6			
<p><b>Traverse centre ITI 100x40</b> Profile 100x40 mm, with lift-out preventers.</p>  <p>Z1333 / Z13265</p>	L 183 L 223 L 273	<b>294270</b> <b>294271</b> <b>294272</b>	6 6 6			
<p><b>Traverse centre ITI 120x40</b> Profile 120x40 mm, with lift-out preventers.</p>  <p>Z1334 / Z1327</p>	L 183 L 223 L 273	<b>294280</b> <b>294281</b> <b>294282</b>	6 6 6			
<p><b>Traverse centre ITI 130x40</b> Profile 130x40 mm, with lift-out preventers.</p>  <p>Z1335 / Z1328</p>	L 183 L 223 L 273	<b>294290</b> <b>294291</b> <b>294292</b>	6 6 6			

# Traverses

	Size cm	Item No.	Finish	Standard unit price	Price per V	Quantity per V
<b>ARPI traverses for industrial shelving</b>						
<p><b>Traverse centre ARPI 80x40</b>                      AP profile 80x40 mm, with lift-out preventers.                      For fitting fire protection shelving elements, shelving elements ARP and chipboards 22 mm.</p> 	L 183	<b>292520</b>	6			
	L 223	<b>292521</b>	6			
	L 273	<b>292522</b>	6			
Z1826 / Z1814						
<p><b>Traverse centre ARPI 100x40</b>                      AP profile 100x40 mm, with lift-out preventers.                      For fitting fire protection shelving elements, shelving elements ARP and chipboards 22 mm.</p> 	L 183	<b>292540</b>	6			
	L 223	<b>292541</b>	6			
	L 273	<b>292542</b>	6			
Z1829 / Z1817						
<p><b>Traverse centre ARPI 120x40</b>                      AP profile 120x40 mm, with lift-out preventers.                      For fitting fire protection shelving elements, shelving elements ARP and chipboards 22 mm.</p> 	L 183	<b>292560</b>	6			
	L 223	<b>292561</b>	6			
	L 273	<b>292562</b>	6			
Z1832 / Z1820						



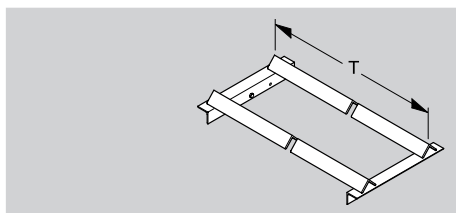
# Depth Connectors and Shelving Elements

	Size cm	Item No.	Finish	Standard unit price €	Price per V €	Quantity per V
<b>Depth connectors</b>						
<b>Depth connector</b> for System CG / CI from size 70x80. Adm. load per depth connector = 500 kg, valid up to depth T 115.	T 80 T 110	<b>293716</b> <b>203315</b>	6 6			
 <small>Z0644</small>						
<b>Depth connector recessed</b> for System CG / CI from size 70x80, for chipboard 22 mm thick. Adm. load per depth connector = 500 kg, valid up to depth T 115.	T 80 T 110	<b>293715</b> <b>203335</b>	6 6			
 <small>Z0645</small>						
<b>Shelving elements</b>						
<b>Shelving elements ARP</b> for System CG / CI from size 70x80. Sheet steel, for insertion in traverse ARP. (To fit upon traverse ARP 80x40, 100x40, 120x40)	T 77 <sup>1)</sup> B 18.7 T 107 <sup>2)</sup> B 18.7 T 77 <sup>1)</sup> B 22.6 T 107 <sup>2)</sup> B 22.6 T 77 <sup>1)</sup> B 18.7 T 107 <sup>2)</sup> B 18.7 T 77 <sup>1)</sup> B 22.6 T 107 <sup>2)</sup> B 22.6	<b>207023</b> <b>207024</b> <b>207028</b> <b>207029</b> <b>207023</b> <b>207024</b> <b>207028</b> <b>207029</b>	6 6 6 6 51 51 51 51			
 <small>Z1787</small> <sup>1)</sup> T 77 for stand depth 80 <sup>2)</sup> T 107 for stand depth 110						
<b>Fire protection shelving element ARP</b> for System CG / CI from size 70x80. Sheet steel, for insertion in traverse ARP. (To fit upon traverse ARP 80x40, 100x40, 120x40)	T 77 <sup>1)</sup> B 18.7 T 107 <sup>2)</sup> B 18.7 T 77 <sup>1)</sup> B 22.6 T 107 <sup>2)</sup> B 22.6	<b>207053</b> <b>207054</b> <b>207058</b> <b>207059</b>	51 51 51 51			
 <small>Z0648</small> <sup>1)</sup> T 77 for stand depth 80 <sup>2)</sup> T 107 for stand depth 110						
<b>Storage frame for euro cage</b> for System CG / CI from size 70x80	T 80 T 110	<b>205568</b> <b>205569</b>	6 6			
 <small>Z2043</small>						

# Depth Connectors and Shelving Elements

## Drum rack, fixed

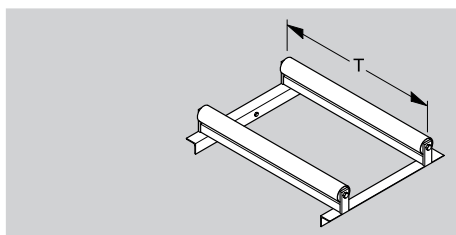
for System CG / CI from size 70x80 and drum diameter from 50 cm



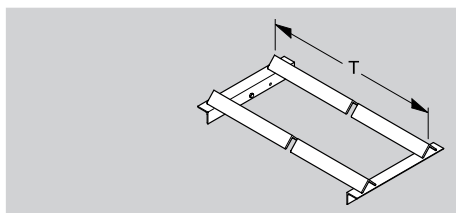
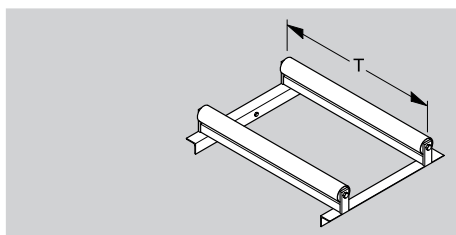
Z1805

## Drum rack with rollers

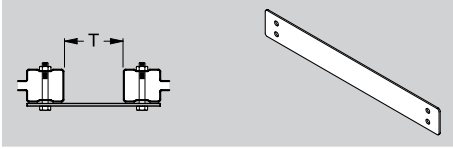
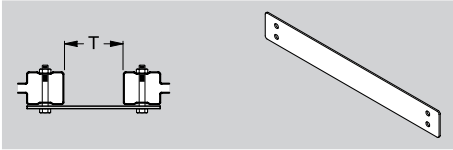
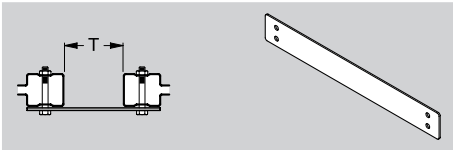


for System CG / CI from size 70x80 and drum diameter from 50 cm



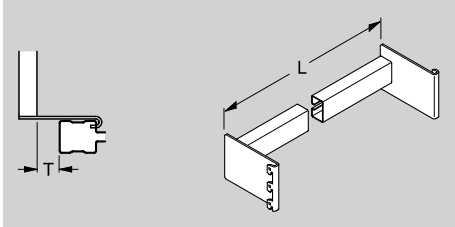
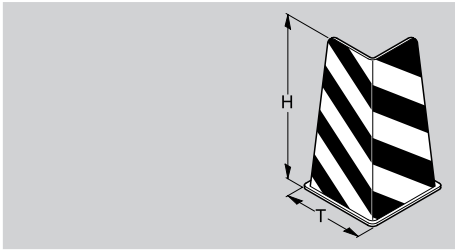
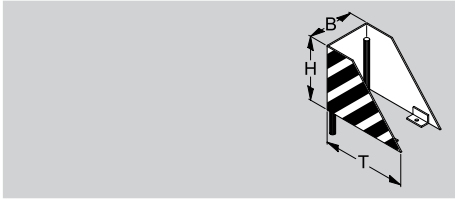
Z1809

	Size cm	Item No.	Finish	Standard unit price €	Price per V €	Quantity per V
<b>Drum rack, fixed</b> for System CG / CI from size 70x80 and drum diameter from 50 cm  Z1805	T 80	<b>205151</b>	6			
	T 110	<b>205155</b>	6			
<b>Drum rack with rollers</b> for System CG / CI from size 70x80 and drum diameter from 50 cm  Z1809	T 80	<b>205141</b>	6			
	T 110	<b>205145</b>	6			

# Accessories and Safeguard Parts

	Size cm	Item No.	Finish	Standard unit price €	Price per V €	Quantity per V
<b>Accessories for industrial shelving</b>						
<b>Spacer bracket CI 70x80</b> for heavy-load shelving, for stand CI 70x80 incl. fixing parts. 	T 10	H 6	<b>201563</b>	5		
	T 15	H 6	<b>201564</b>	5		
	T 20	H 6	<b>201565</b>	5		
	T 30	H 6	<b>201567</b>	5		
	T 40	H 6	<b>201569</b>	5		
<b>Spacer bracket CI 85x80</b> for heavy-load shelving, for stand CI 85x80 incl. fixing parts. 	T 10	H 6	<b>201725</b>	5		
	T 15	H 6	<b>201726</b>	5		
	T 20	H 6	<b>201722</b>	5		
	T 30	H 6	<b>201723</b>	5		
	T 40	H 6	<b>201724</b>	5		
<b>Spacer bracket CI 100x80</b> for heavy-load shelving, for stand CI 100x80 incl. fixing parts. 	T 10	H 6	<b>201790</b>	5		
	T 15	H 6	<b>201791</b>	5		
	T 20	H 6	<b>201792</b>	5		
	T 30	H 6	<b>201794</b>	5		
	T 40	H 6	<b>201796</b>	5		
<b>Sheet metal underlay CI 70x80</b> for stand CI 70x80, for compensation of floor unevenness 	H 0.15		<b>200250</b>	51		
	H 0.2		<b>200252</b>	51		
	H 0.6		<b>200254</b>	88		
<b>Sheet metal underlay CI 85x80, CI 100x80</b> for stand CI 85x80 and CI 100x80, for compensation of floor unevenness 	H 0.15		<b>200270</b>	51		
	H 0.2		<b>200271</b>	51		
	H 0.6		<b>200272</b>	88		

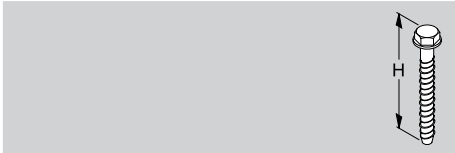
# Accessories and Safeguard Parts

	Size cm	Item No.	Finish	Standard unit price	Price per V	Quantity per V
<b>Safety accessories for industrial shelving</b>						
<b>Push-through guard</b> for stands CI / CG with lift-out preventers, for fitting in the inside of stands  <p><sup>1)</sup> for stand depth 80 <sup>2)</sup> for stand depth 110</p>	L 183 T 0 <sup>1)</sup> L 223 T 0 <sup>1)</sup> L 273 T 0 <sup>1)</sup> L 183 T 6 <sup>2)</sup> L 223 T 6 <sup>2)</sup> L 273 T 6 <sup>2)</sup>	<b>204182</b> <b>204183</b> <b>204293</b> <b>204297</b> <b>204197</b> <b>204298</b>	6 6 6 6 6 6			
<b>Bumper (corner)</b> for fastening on the floor for heavy-load shelving stands (yellow / black) 	T 18 H 38 T 25 H 60	<b>201530</b> <b>201540</b>	35 35			
<b>Rigid fixation accessories</b> for bumper (corner)		<b>201532</b>	37			
<b>Flexible fixation accessories</b> For collision guard (corner), transmits extremely high collision loads (fork lift truck traffic) safely to the floor		<b>201534</b>	37			
<b>Bumper for stands</b> (Fixing materials as for stands)  <p><sup>1)</sup> for stand CI 70x80 <sup>2)</sup> for stands CI 85x80 and CI 100x80</p>	B 16 <sup>1)</sup> H 30 T 40 B 18 <sup>2)</sup> H 30 T 40	<b>203690</b> <b>203783</b>	35 35			

# Accessories and Safeguard Parts

	Size cm	Item No.	Finish	Standard unit price €	Price per V €	Quantity per V
<p><b>Angular profile – bumper</b> for screwing onto the floor (fixing materials as for stands)</p> <p><sup>1)</sup> 3 holes for dowelling/bolting <sup>2)</sup> 4 holes for dowelling/bolting <sup>3)</sup> 5 holes for dowelling/bolting</p> <p><small>Z0722</small></p>	<p>L 180<sup>1)</sup> L 220<sup>2)</sup> L 270<sup>3)</sup></p>	<p><b>204462</b> <b>204463</b> <b>204464</b></p>	<p>6 6 6</p>			
<p><b>Load distribution shoe</b> Sheet steel, for reducing the specific floor load on soft surfaces, for stand CG / CI</p> <p><sup>1)</sup> for stand CI 70x80 <sup>2)</sup> for stands CI 85x80 and CI 100x80</p> <p><small>Z0666 / Z0665</small></p>	<p>L 16<sup>1)</sup> T 80 L 16<sup>1)</sup> T 110 L 18<sup>2)</sup> T 80 L 18<sup>2)</sup> T 110</p>	<p><b>290553</b> <b>201547</b> <b>200518</b> <b>200513</b></p>	<p>41 41 41 41</p>			
<p><b>Straddling bolt</b> for System CG / CI <b>When using straddling bolts, always observe the building supervisory regulations.</b></p> <p><small>Z0669</small></p>	<p>H 12.7    Ø M 10</p>	<p><b>200102</b></p>	<p>37</p>			
<p><b>Anchor bolt</b> for System CG / CI, for storing panels, etc. in inclined position, and for oblique stand C 70x80. <b>When using anchor bolts, always observe the building supervisory regulations.</b></p> <p><small>Z0670</small></p>	<p>H 16.5    Ø M 12</p>	<p><b>200100</b></p>	<p>37</p>			160

## Accessories and Safeguard Parts

	Size cm		Item No.	Finish	Standard unit price ₹	Price per V ₹	Quantity per V
<p><b>Screw anchor</b> for System CI <b>When using screw anchors, always observe the building supervisory regulations.</b></p>  <p>21837</p>	H	10	<b>200095</b>	37			
<p><b>Labels for permissible loads</b> 1 roll = 250 labels <b>Important note:</b> The load limits must be clearly marked by means of load labels on all heavy-load shelving</p>			<b>200121</b>				

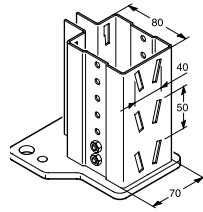


# Technical Information – Industrial Shelving

## System sizes

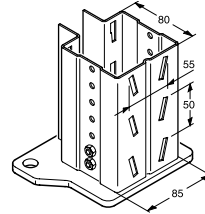
**Upright cross-sections**  
(all figures in mm)

**System CI 70x80**



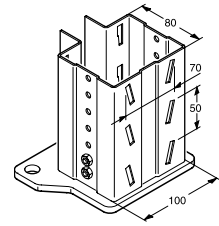
Z2167

**System CI 85x80**



Z2168

**System CI 100x80**

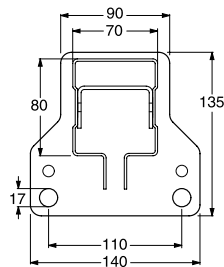


Z2169

**Upright cross-section and foot plate**  
(all figures in mm)

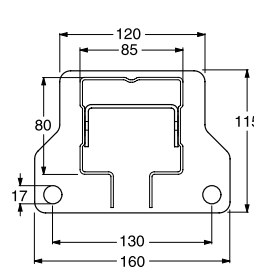
Stand depth (T) - all profiles	
T 80	807 mm
T 110	1107 mm

**System CI 70x80**



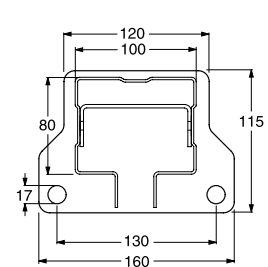
Z2180

**System CI 85x80**



Z2181

**System CI 100x80**

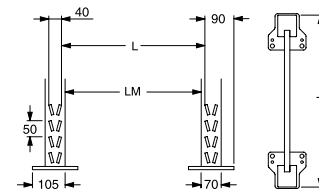


Z2182

## Stand sizes

Stand sizes	
Axis spacing L in cm	Clearance LM in cm
L 183	179.8
L 223	219.8
L 273	269.8

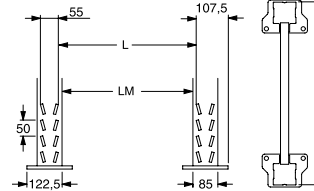
**Stand CI 70x80**



Z2170

L: Axis spacing  
LM: Clearance  
T: Stand depth  
(all figures in mm)

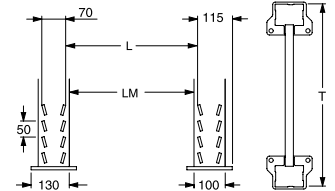
**Stand CI 85x80**



Z2171

L: Axis spacing  
LM: Clearance  
T: Stand depth  
(all figures in mm)

**Stand CI 100x80**

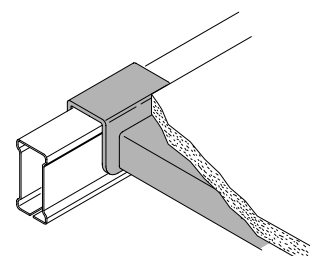


Z2172

L: Axis spacing  
LM: Clearance  
T: Stand depth  
(all figures in mm)

## Chipboard sizes (depth connectors, recessed)

When using recessed depth connectors in conjunction with 4 cm wide ITI traverses



Z1924

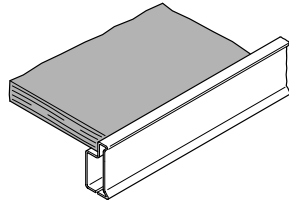
Chipboard length (Depth connectors, recessed)	
System CI 70x80, System CI 85x80 and System CI 100x80	
Axis spacing in cm	Chipboard length in cm
L 183	178
L 223	218
L 273	268

Chipboard width (Depth connectors, recessed)	
System CI 70x80, System CI 85x80 and System CI 100x80	
Shelving depth T in cm	Chipboard width in cm
T 80	71
T 110	101



## Chipboard sizes (traverse ARPI)

when using traverses ARPI



22193

Chipboard length (ARPI traverse) System CI 70x80, System CI 85x80 and System CI 100x80	
Axis spacing in cm	Chipboard length in cm
L 183	178
L 223	218
L 273	268

Chipboard width (ARPI traverse) System CI 70x80, System CI 85x80 and System CI 100x80	
Shelving depth T in cm	Chipboard width in cm
T 80	77.3
T 110	107.3

## Number of elements and load capacity for ARP shelving elements and ARP fire protection shelving elements in conjunction with traverses ARPI 80x40, 100x40 and 120x40

Shelving elements in steel are available in widths 18.7 cm and 22.6 cm. When fitting shelving compartments with these shelves we recommend using the following combinations:

Number of shelves		
Axis spacing in cm	Shelf width 18.7 cm No. of shelves	Shelf width 22.6 cm No. of shelves
L 183	1	7
L 223	8	3
L 273	1	11

Load capacity per shelving element (up to max. T 107): **350 kg**

Load capacity per fire protection shelving element (up to max. T 107): **60 kg**

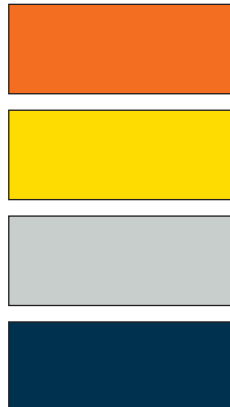
## Colour and finish code

### Standard colour group code

- 5 Standard colours 66, 151
- 6 Standard colours 16, 28

### Colour code standard colours

- 16 pure orange, RAL 2004
- 28 rape yellow, RAL 1021
- 66 light grey, RAL 7035
- 151 green blue, RAL 5001



The colour samples show only the colour shade, not the quality of the surface of the respective product!

Slight colour differences are possible for technical reasons. These are not deemed to be defects. Our previous colour charts are hereby invalid. Special colours are available on request.

### Finish code

- 35 special colour
- 37 galvanized
- 41 hot dip galvanized
- 51 zinc galvanized
- 88 white aluminium, RAL 9006

## Composition of item numbers

Example:

Screw anchor H10, zinc plated = 200095 37

200095 37 = Item group

200095 37 = Item basic number

200095 37 = Finish code

If the order value is less than € 375.-, we add a surcharge equal to 10% of the order value.

## Special colours

For each special colour there will be a surcharge of € 133.-.

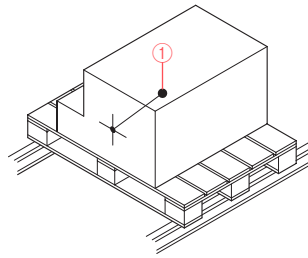


## Permissible Loads

### Conditions traverses

- Specified bay loads presuppose an evenly distributed load over the entire pair of traverses or shelf.
- The maximum permissible central deflection is max.  $L / 200$  of the traverse length.
- The specified bay load applies only in conjunction with our industrial shelving.
- Traverses ITI and ARPI must not be loaded to torsion (see figures).

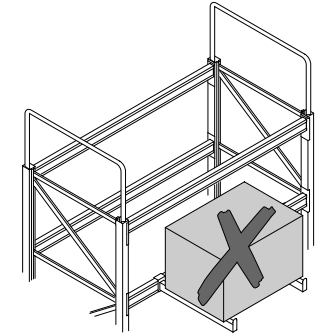
#### Right



1 Centre of gravity

Z3654

#### Wrong



Z2355

### Conditions stands

- The shelving must not be subjected to loads under impact.
- For sufficient longitudinal stability, at least 2 pairs of traverses must be suspended per shelving bay.
- Shelving must be set up on concrete floors with sufficient dimensions (minimum concrete quality C20/25 in accordance with DIN 1045 (8.08).
- Floor evenness, irrespective of whether finished or unfinished, must comply with DIN 18202, part 5.
- Shelving stands must be permanently dowelled to the concrete floor.
- At least 1 anchor bolt M 10 must be used for each foot plate for System CI 70x80, System CI 85x80 and System CI 100x80.
- When planning and installing industrial shelving, always note and follow the information provided in the instructions for installation and use as well as national and international standards and rules. Please apply for instructions for installation and use.
- Assembly and installation may only be performed by authorized installation personnel.
- If no load information is available or special load requirements exist, please contact our technical department.
- When determining permissible load values for the shelving bay, base your calculation on the greatest bay height in each case.

### Permissible load per pair of traverses in kg, System CI 70x80, System CI 85x80 and System CI 100x80

Permissible load per pair of traverses in kg, (System CI 70x80, System CI 85x80 and System CI 100x80)							
Traverse with weld-on central position							
Axis spacing in cm	ARPI 80x40	ARPI 100x40	ARPI 120x40	ITI 80x40	ITI 100x40	ITI 120x40	ITI 130x40
L 183	1700	2500	3300	2100	2900	3800	4500
L 223	1400	2100	2800	1600	2500	3200	4200
L 273	1000	1700	2400	1150	1900	2700	3500

### Permissible bay load for industrial shelving System CI 70x80

Permissible bay load in kg			
Compartment height f	System CI 70x80 in combination with traverses ITI 80x40	System CI 70x80 in combination with traverses ITI 100x40	System CI 70x80 in combination with traverses ITI 120x40 or ITI 130x40
	100 cm	10000	14000
125 cm	8500	11500	14000
150 cm	7000	10000	12000
175 cm	6000	8000	10000
200 cm	5000	7000	9000
225 cm	4500	6000	8000

### Permissible bay load for industrial shelving System CI 85x80

Permissible bay load in kg		
Compartment height f	System CI 85x80 in combination with traverses ITI 120x40	System CI 85x80 in combination with traverses ITI 130x40
	100 cm	18000
125 cm	16000	16000
150 cm	14000	14000
175 cm	12000	13500
200 cm	10000	12000
225 cm	9000	11000



## Permissible bay load for industrial shelving System CI 100x80

Permissible bay load in kg		
Compartment height f	System CI 100x80 in combination with traverses ITI 120x40	System CI 100x80 in combination with traverses ITI 130x40
100 cm	18000	18000
125 cm	17000	17000
150 cm	14000	16000
175 cm	12000	15000
200 cm	11000	13000
225 cm	9000	11000

## Permissible load per depth connector

Permissible load per depth connector	
Depth T	System CI 70x80, System CI 85x80 and System CI 100x80
up to T = 110 cm	500 kg

## Permissible load per shelving element ARP

Permissible load per shelving element ARP	
Depth T	System CI 70x80, System CI 85x80 and System CI 100x80
up to T = 107 cm	350 kg

## Permissible load per fire protection shelving element ARP

Permissible load per fire protection shelving element ARP	
Depth T	System CI 70x80, System CI 85x80 and System CI 100x80
up to T = 107 cm	60 kg

## Active Environmental Protection

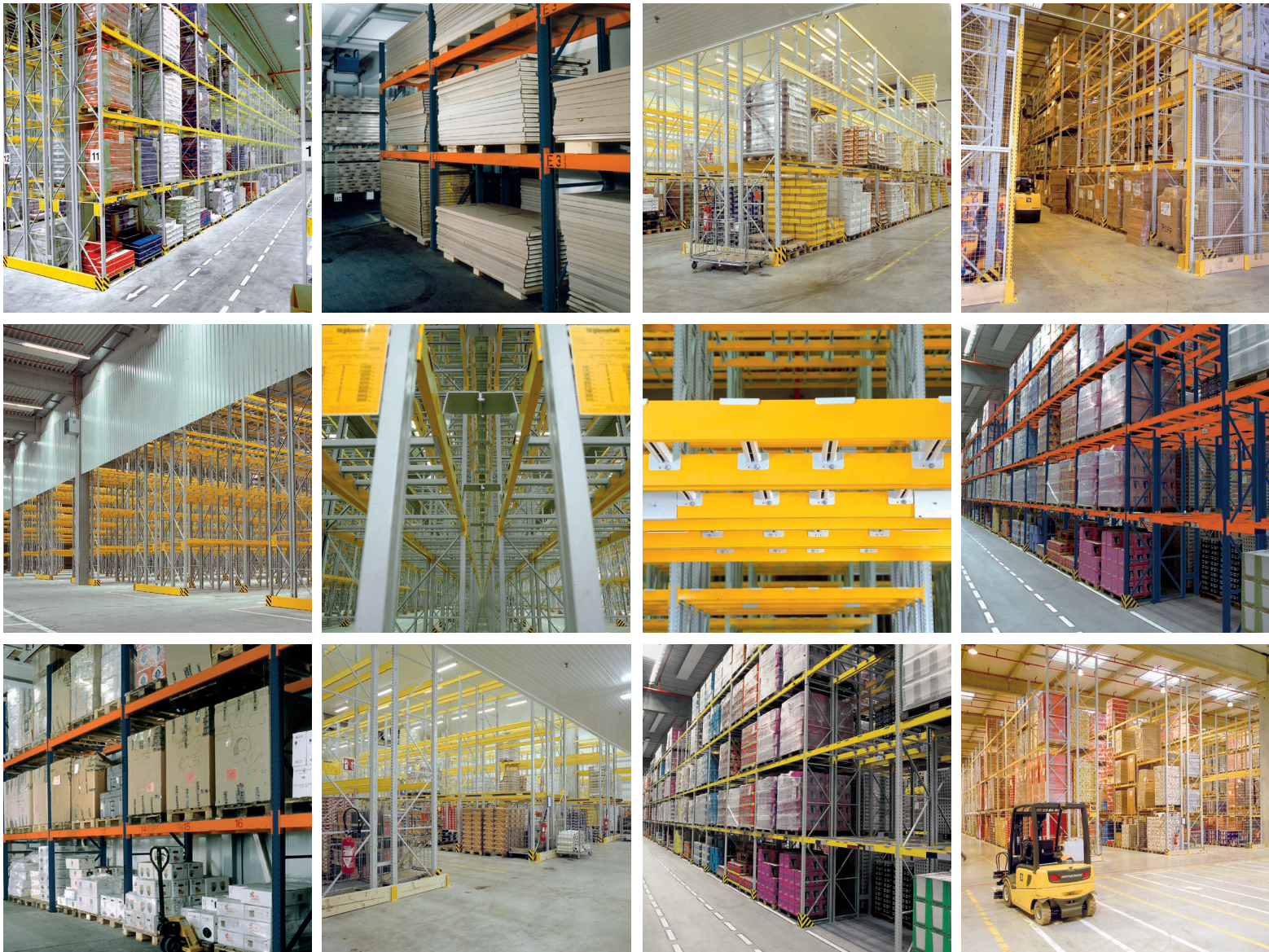
The Tegometall Group's production facilities are equipped with state-of-the-art production plants.

Continuous further development of the products and large series production requires top technology, which reaches through and affects all areas, and also fully takes into account environmental protection issues.

We use solvent-free powder paints in the whole paintshop. A mostly wastewater free surface coating technique is used. All operating materials and auxiliaries are free from chlorinated and aromatic hydrocarbons.

We completely do without the use of PVC films and sheeting. State-of-the-art technology and our many years of experience in all areas of shop fitting and storage technology guarantee our performance and are the reason for our market position.





# Tegometall

The Original for 50 years

Tegometall International Sales GmbH  
 Industriestraße 7  
 CH - 8574 Lengwil-Oberhofen

Telephone +41 (0) 71 686 93 00  
 Fax +41 (0) 71 686 93 78

info@tegometall.com  
 www.tegometall.com